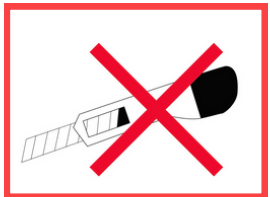
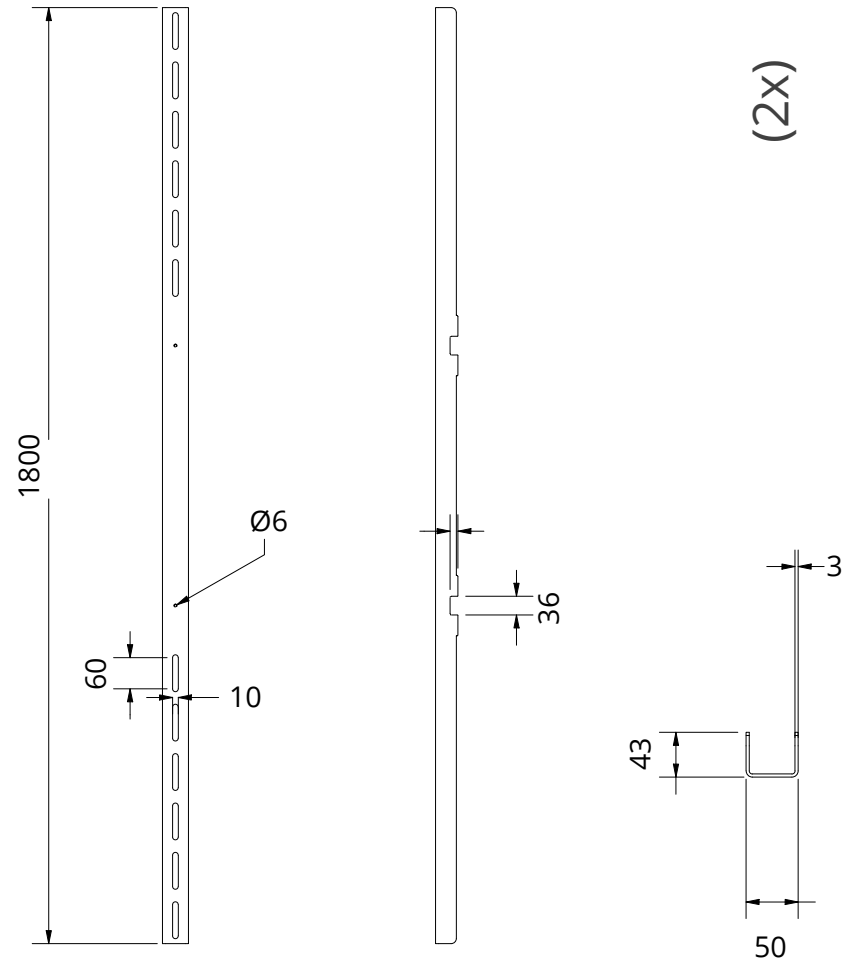


# MountStand - Double Screen

Art. DID100.200.000



## Technical Drawing



## SPECIAL WARNING

INSTALLATION AND SERVICE MUST BE PERFORMED BY A QUALIFIED INSTALLER. READ AND SAVE THESE INSTRUCTIONS FOR FUTURE REFERENCE.

## UNPACKING YOUR PRODUCT

Remove all packing materials from the product carefully. Handle this product with care. Be careful when cutting the packaging to avoid damaging the product.

## IMPORTANT NOTES TO THE INSTALLER

Keep this manual for future reference.

- Always handle this product with two people (> 25kg)
- This product should only be installed and grounded properly by a qualified installer or service technician.

## TOOLS

Powerdril, inbus, installation tape, tyrap



## FIXING MATERIALS

M6x40 (4x), M6 Locknut (4x), M6 washer (8x)



## Additional products



### MountStand - Wall

Art. DID100.100.000

[www.dekkerindustrialdesign.nl/product/mountstand-wall/](http://www.dekkerindustrialdesign.nl/product/mountstand-wall/)



### MountStand - Floorplate

Art. DID100.200.000

[www.dekkerindustrialdesign.nl/product/mountstand-double-screen/](http://www.dekkerindustrialdesign.nl/product/mountstand-double-screen/)



### MountStand - Double

Art. DID100.300.000

[www.dekkerindustrialdesign.nl/product/mountstand-double-screen/](http://www.dekkerindustrialdesign.nl/product/mountstand-double-screen/)



### MountStand - Mobile

Art. DID100.600.000

[www.dekkerindustrialdesign.nl/product/mountstand-mobile/](http://www.dekkerindustrialdesign.nl/product/mountstand-mobile/)



### MountStand - Backplate

Art. DID100.700.000

[www.dekkerindustrialdesign.nl/product/mountstand-backplates/](http://www.dekkerindustrialdesign.nl/product/mountstand-backplates/)



### Plug and Play Delivery

Art. DID110.000.000

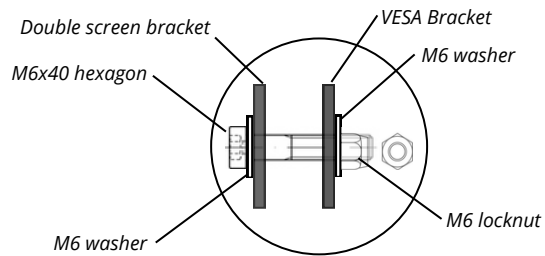
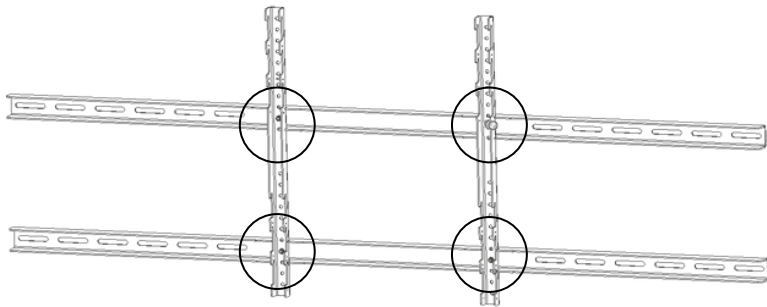
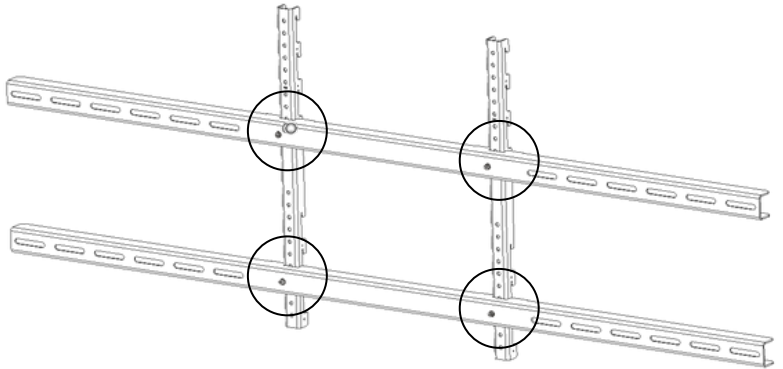
[www.dekkerindustrialdesign.nl/product/mountstand-plug-and-play/](http://www.dekkerindustrialdesign.nl/product/mountstand-plug-and-play/)

45 min



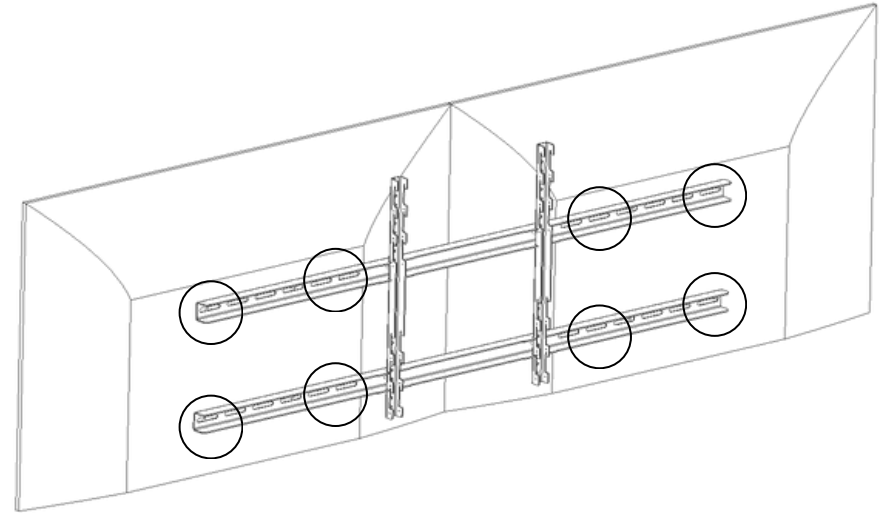
## Install Double Screen brackets on VESA brackets

1. Mount the two horizontal Double Screen Brackets to the two vertical VESA-brackets of the MountStand Wall



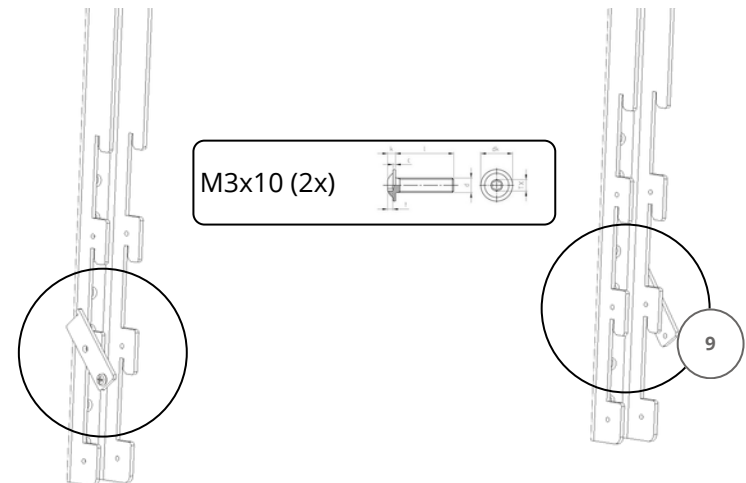
## Install Double Screen brackets on the monitor

2. Mount the double screen brackets (DID100.200.000) to the 55 - 65" screens with the VESA of the monitors



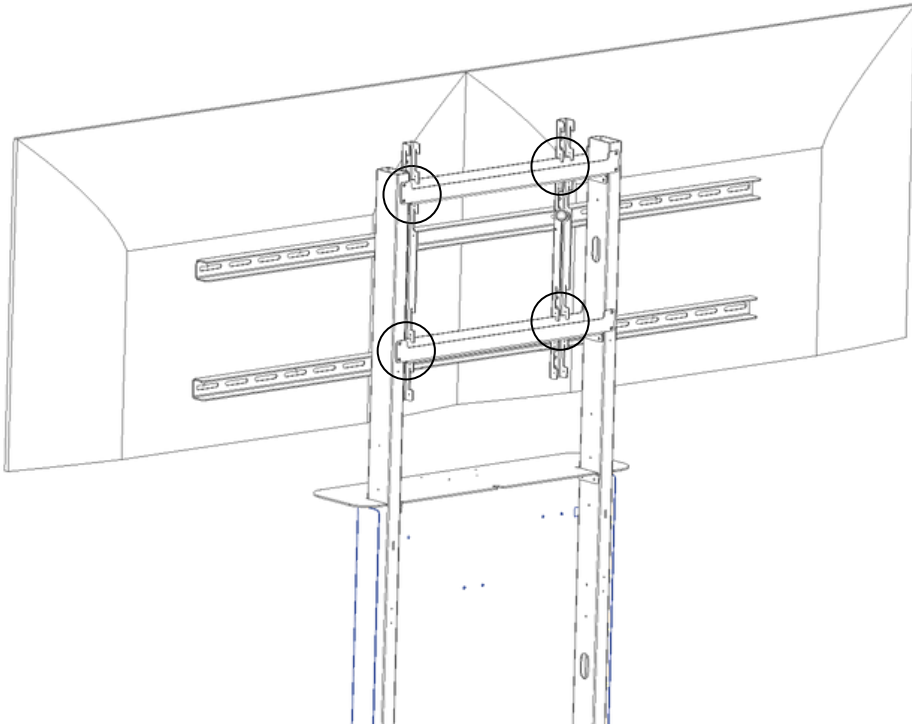
Screws are not supplied as standard  
(These are often supplied with the monitor)

3. Mount the two lock pins with the M3, washers and M3 nut.



## Install the monitor

4. Now hang the screen with the VESA brackets on the cross beams. Attach the lock pins and also tighten the M4 bolts.



5. Connect the cabling to the monitor and tyrap them to the middle beam.