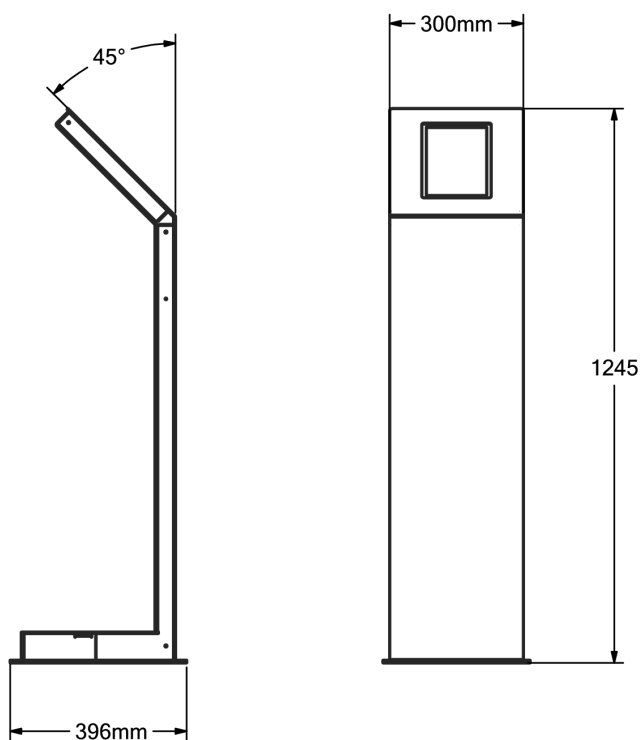
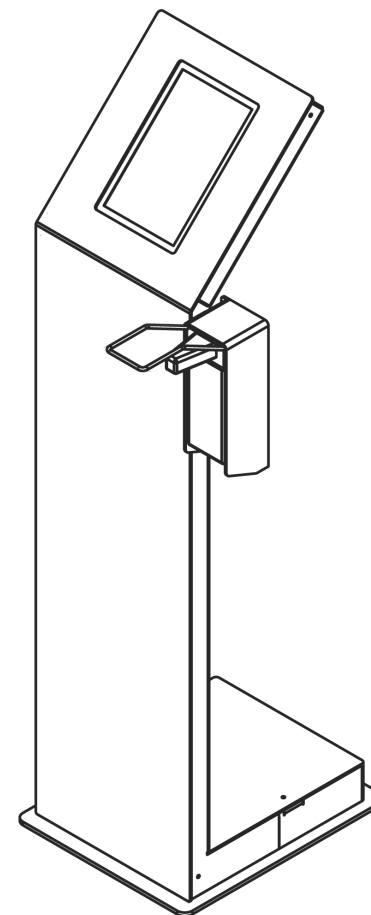


Dimensions 10 inch Kiosk (portrait)



10 inch Kiosk Portrait

A1129



SPECIAL WARNING

INSTALLATION AND SERVICE MUST BE PERFORMED BY A QUALIFIED INSTALLER. READ AND SAVE THESE INSTRUCTIONS FOR FUTURE REFERENCE.

UNPACKING YOUR KIOSK

Remove all packing materials from the kiosk carefully.
Remove the kiosk according to the instructions on the next page.

IMPORTANT NOTES TO THE INSTALLER

Keep this manual for future reference.

- Always handle this product with two people (> 25kg)
- This product should only be installed and grounded properly by a qualified installer or service technician.

TOOLS



Cordless drill
Cross head bit



Hex set

FIXING MATERIALS



M4x20m



M5 washer



M5x20m



Spacer 10

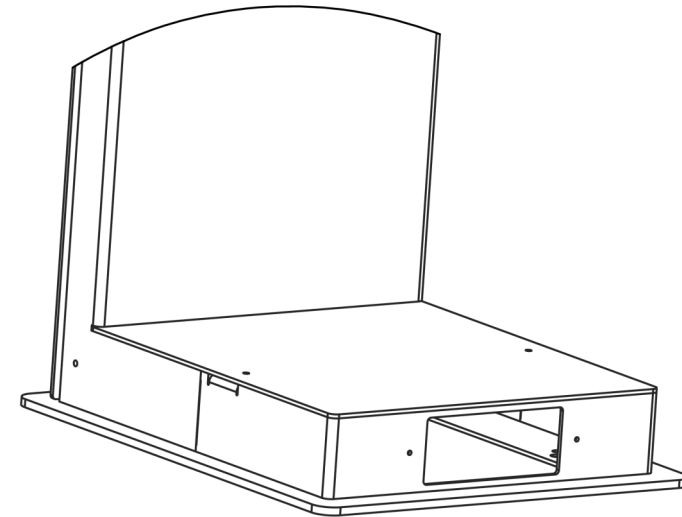


M4 washer



M4x10m

4. Attach the cables

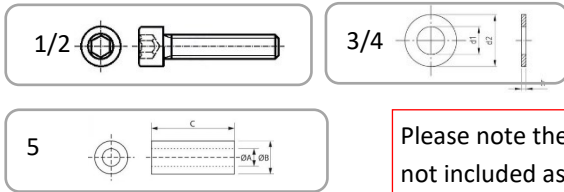


Remove the cable plate and connect the cables to the power and network

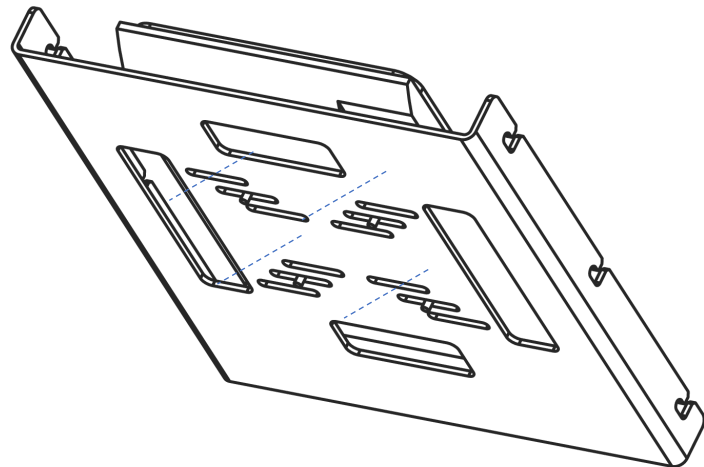
Check that everything works and close the back cover.



1. Attach the VESA plate to the monitor by means of 4 pieces of supplied M4 bolts



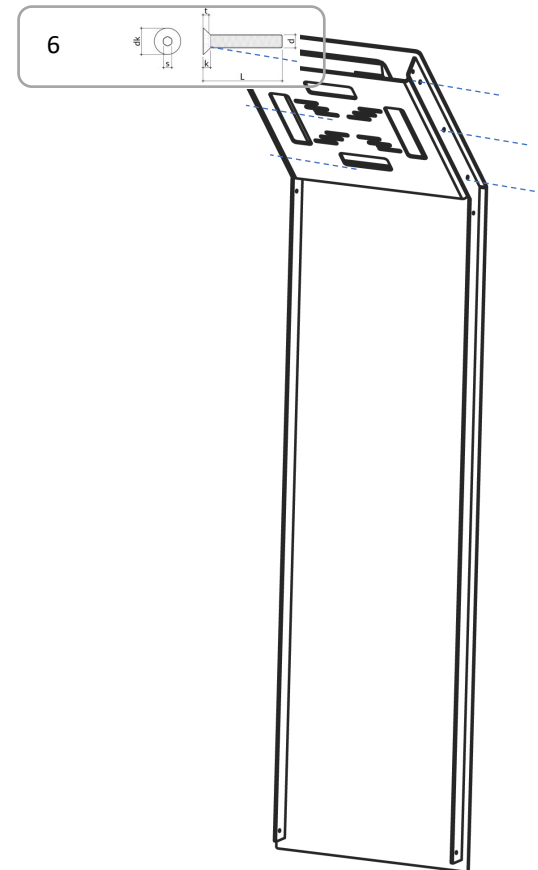
Please note the screws for the monitor are not included as standard. This depends on the type of screen. However, standard M4x16 and M4 spacers are included



Before attaching the screen to the VESA plate, attach all cables first. Test the screen before mounting in the kiosk.

If necessary place extra 2 mm spacer (5) between the monitor and the VESA plate.

2. Attach the VESA plate in the Kiosk Front plate

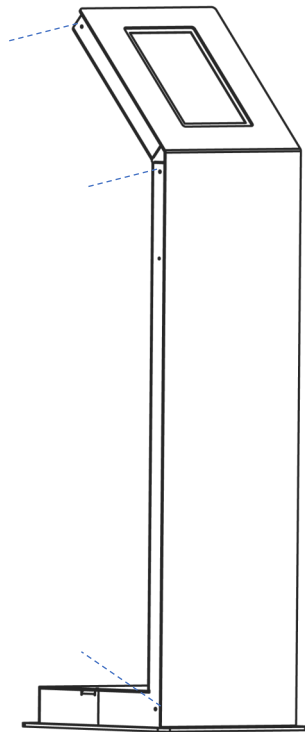
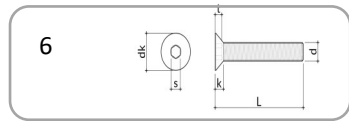


Slide the VESA plate with the monitor into the steel strips of the front plate.

Align the monitor in the front plate

Then tighten the 6 M4x10 bolts firmly.

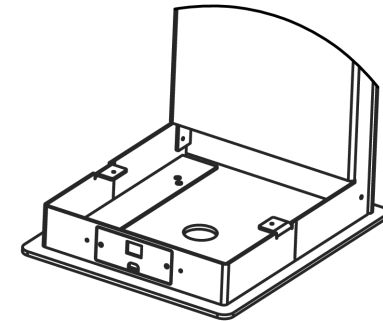
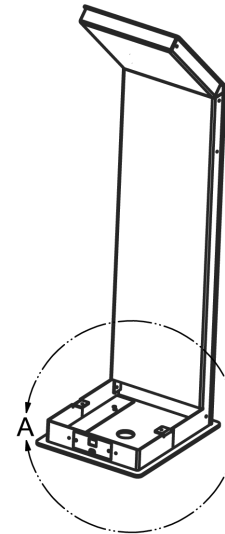
3. Attach the Frontplate into the Kiosk




Slide the front plate into the kiosk and fix the front plate to the sides with 6x M4x10 bolts

Make sure the ends of the cables are on the bottom/back of the kiosk

Disconnect the kiosk from the pallet



DETAIL A
SCALE 1:5

(4x) 



Remove the back plates from the kiosk with the M4 hexagon socket bolts on the back.

Then unscrew the kiosk from the pallet. This is secured with 4 crosshead screws.