

Installation Manual

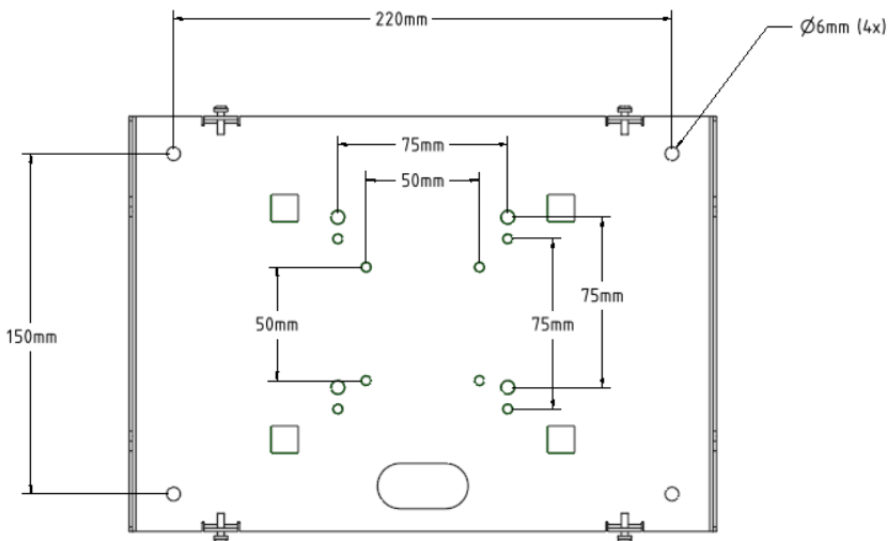
ProDVX Stainless Steel housing 10X/SLB Series

Artikelnummer: 8080960

1. Mount the backplate

The back-plate can be mounted on the wall through the four holes on the outside. In addition, the cover can be placed on a floor/table-stand with the VESA holes.

* Fixing materials are not included



2. Mount the frontplate

Connect the cabling to the display and test the display.

Then press the front plate over the screen and screw the four M3x10 bolts into the four holes at the top and bottom of the screen.

* Cabels are not included

Hex key 2mm

(Hex Key not included)



M3x10 (4x)

