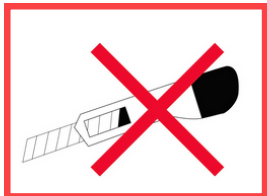
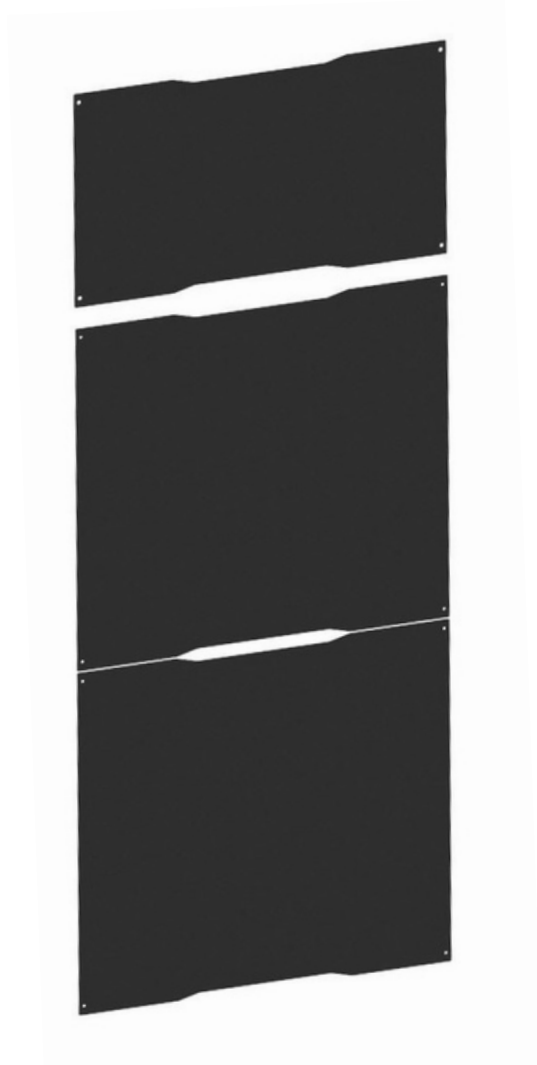


MountStand - Backplates

Art. DID100.700.000



SPECIAL WARNING

INSTALLATION AND SERVICE MUST BE PERFORMED BY A QUALIFIED INSTALLER. READ AND SAVE THESE INSTRUCTIONS FOR FUTURE REFERENCE.

UNPACKING YOUR PRODUCT

Remove all packing materials from the product carefully. Handle this product with care. Be careful when cutting the packaging to avoid damaging the product.

IMPORTANT NOTES TO THE INSTALLER

Keep this manual for future reference.

- Always handle this product with two people (> 25kg)
- This product should only be installed and grounded properly by a qualified installer or service technician.

TOOLS

Inbus



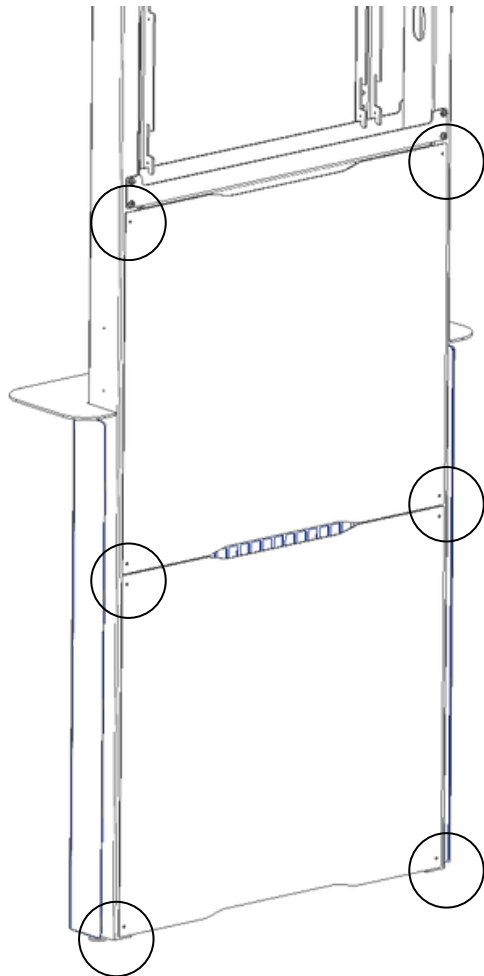
FIXING MATERIALS

M4x16 (8x)



Mount the backplates below

1. Mount the two backplates below with the M4x10 black bolts (8x)

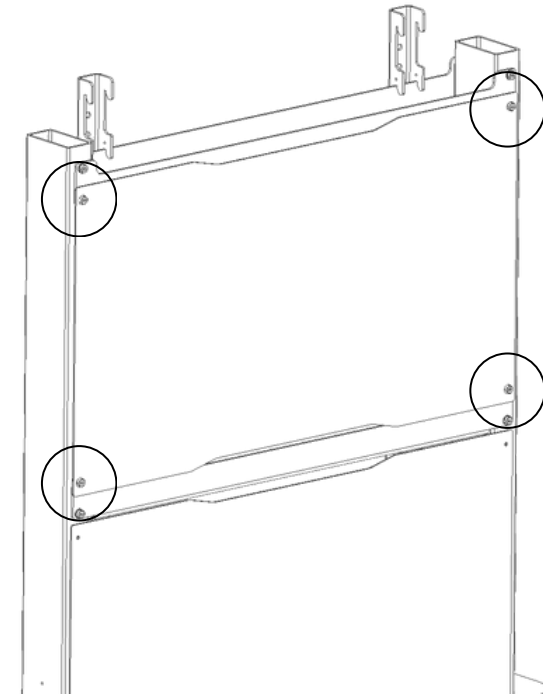


M4x8 (8x)



Mount the TOP backplate

2. Mount the TOP backplate with the existing M6 bolts of the MountStand (4x)



M6x16 (4x)

